



**ARGANI
VERRICELLI**

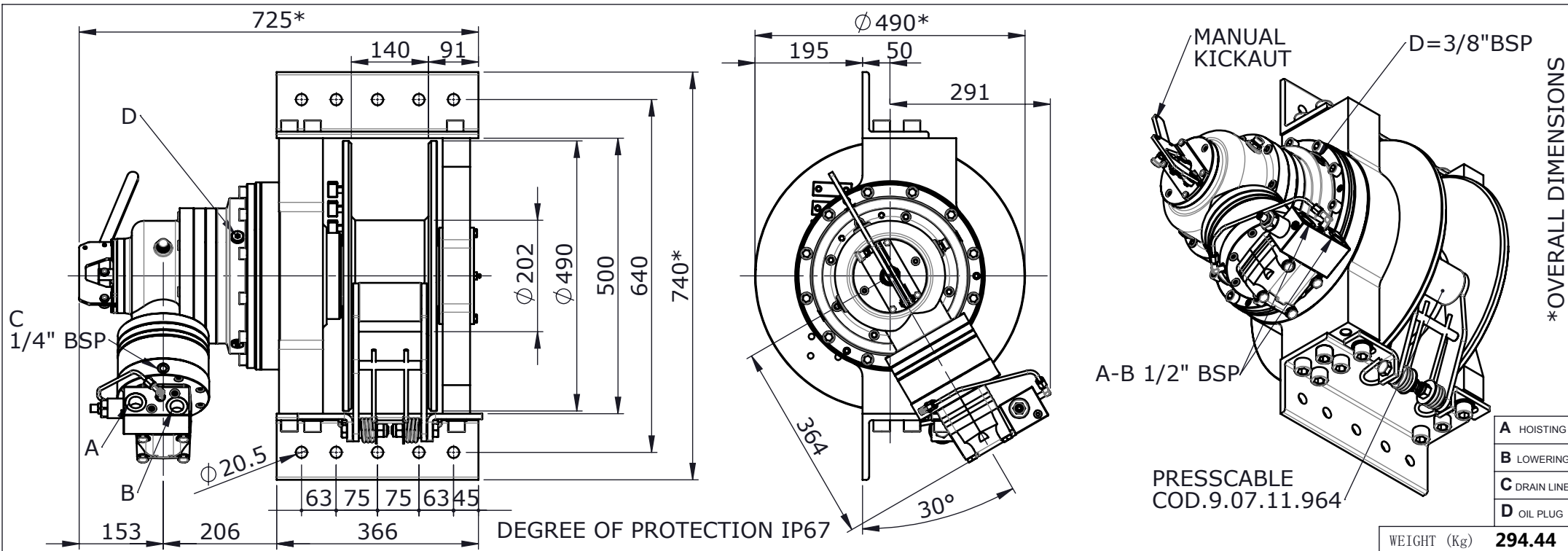
41057-SPILAMBERTO
MODENA-ITALY
Via S.Vito 221
www.tmawinches.com
Tel. +39(059) 78.17.11
Fax +39(059) 78.16.06

TECHNICAL DATA SHEET

MODEL: **RECOVERY WINCH RA 220-M**

CODE: **9022008**

Doc. N° **M-27**
Pag. **1 di 1**
Rev.N° **0**
Data Rev. **01/07/14**



Model: RA 220-M Code: 9.02.20.08 Class: M3 L1.T4 (FEM 1.001/1998) with drum rotation 25 rpm.

MOTOR DATA		WORKING FLOW RATE (L/min)	WORKING PRESSURE (MPa)	FLOW RATE (L/min)	MAXIMUM ALLOWED BACK PRESSURE IN HYDRAULIC RETURN LINE (MPa)	BRAKE TYPE	Braking Static Torque (daNm)	GEAR DATA	
CYL (cc)	125	70	19.0	Min 10	0.5	Multi-disc negative brake	90	REDUCTION - RATIO	1:91.35
TYPE	ORBIT		STARTING PRESSURE					Max 70	INTERNAL LUBRICATION - OIL (Kg)
MODEL	SU		24.0						

ROPE LAYER	N°	1	2	3	4	5			
LINE PULL (With 19 MPa)	(daN)	22500	18800	16150	14150	12600			
LINE SPEED (With 70 L/min)	(m/min)	4.1	4.9	5.7	6.5	7.2			
ROPE CAPACITY									
ROPE Ø 20 mm	(m)	4	9	14	21	28			
ROPE Ø 21 mm		4	8	14	20	27			
ROPE Ø 22 mm		3	8	13	19	26			

IMPORTANT

THIS WINCH IS NOT INTENDED FOR DEVICES USED FOR PERSONNEL LIFTING

Use ropes with a correct strenght.
A minimum of 3 wraps of rope must be left on drum for security.
The rated line pull are for the winch only.
We reserve the right to make changes without notice.

DATE
13/07/2017
DATI ARGANO
DA 17160.1