



**ARGANI
VERRICELLI**

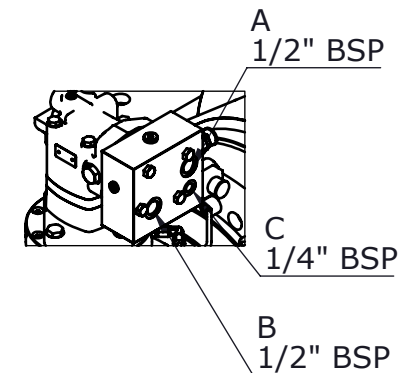
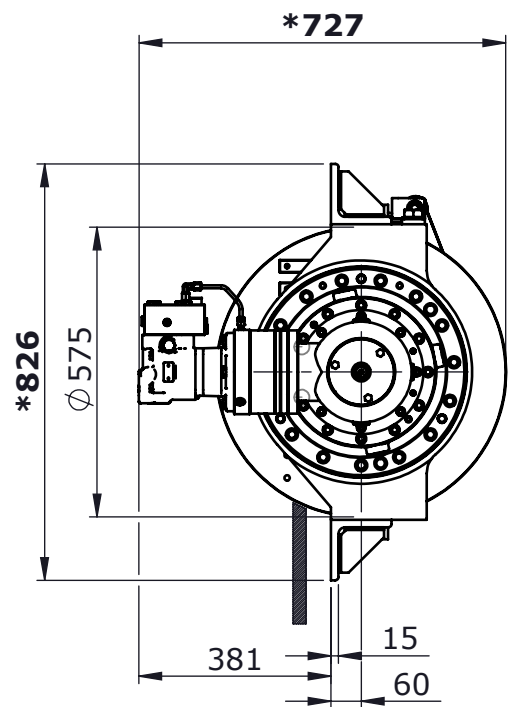
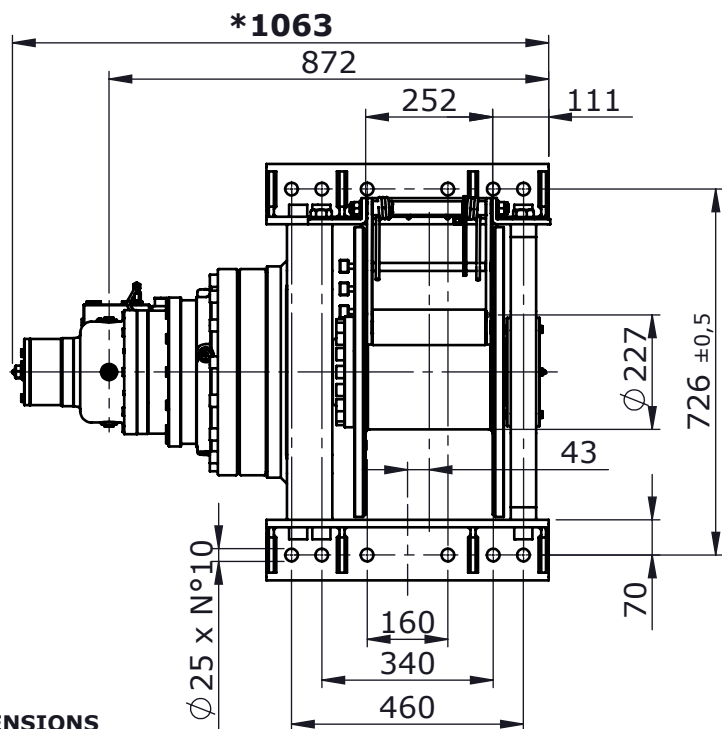
41057-SPILAMBERTO
MODENA-ITALY
Via S.Vito 221
www.tmawinches.com
Tel. +39(059) 78.17.11
Fax +39(059) 78.16.06

TECHNICAL DATA SHEET

MODEL: **RECOVERY WINCH RA-300-195V**

CODE: **9022010**

Doc. N° **M-27**
Pag. **1 di 1**
Rev.N° **0**
Data Rev. **01/07/14**



- A HOISTING
- B LOWERING
- C DRAIN LINE
- D OIL PLUG

***OVERALL DIMENSIONS**

WEIGHT (Kg) **551,04**

Model: RA-300-195V Code: 9.02.20.10 Class: M4 L1.T5 (FEM 1.001/1998) with drum rotation 25 rpm.

MOTOR DATA		WORKING FLOW RATE (L/min)	WORKING PRESSURE (MPa)	FLOW RATE (L/min)	MAXIMUM ALLOWED BACK PRESSURE IN HYDRAULIC RETURN LINE (MPa)	BRAKE TYPE	Braking Static Torque (daNm)	GEAR DATA	
CYL (cc) - Min	95							75	18,5
CYL (cc) - MAX	195	STARTING PRESSURE	Max 75	INTERNAL LUBRICATION - OIL (Kg)	8				
TYPE	ORBIT	23,0							
MODEL	2000								

ROPE LAYER	N°	1	2	3	4	5			
LINE PULL (With 18,5 MPa)	195 cc	30000	25200	21720	19090	17030			
	95 cc	14630	12290	10590	9310	8300			
LINE SPEED (With 75 L/min)	195 cc	3	4	4,5	5	6			
	95 cc	6	8	9	10	12			

ROPE CAPACITY								
ROPE Ø								
ROPE Ø	24 mm	(m)	7	16	26	38	52	
ROPE Ø								

IMPORTANT
THIS WINCH IS NOT INTENDED FOR DEVICES USED FOR PERSONNEL LIFTING

Use ropes with a correct strenght.
A minimum of 3 wraps of rope must be left on drum for security.
The rated line pull are for the winch only.
We reserve the right to make changes without notice.

DATE	09/04/19
DATI ARGANO	DA 19033.1