



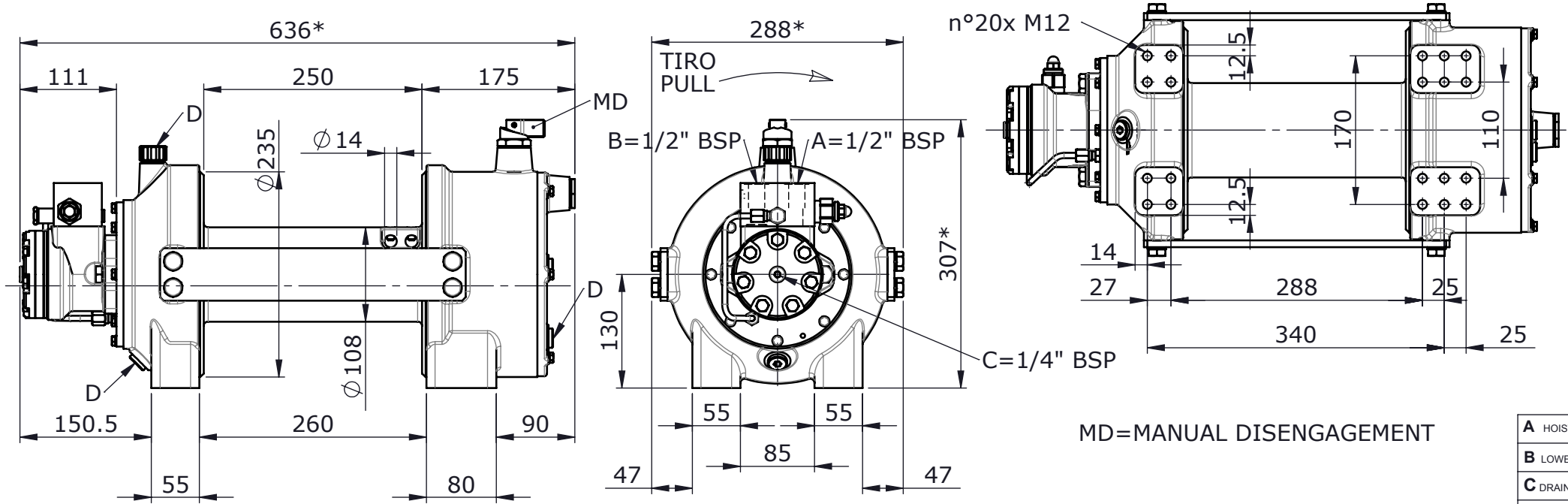
**ARGANI  
VERRICELLI**

41057-SPILAMBERTO  
MODENA-ITALY  
Via S.Vito 221  
www.tmawinches.com  
Tel. +39(059) 78.17.11  
Fax +39(059) 78.16.06

**TECHNICAL DATA SHEET**

MODEL: **RECOVERY WINCH TMT 50**  
CODE: 9021014

Doc. N° **M-27**  
Pag. 1 di 1  
Rev.N° 0  
Data Rev. 01/07/14



\* OVERALL DIMENSIONS

MD=MANUAL DISENGAGEMENT

- A HOISTING
- B LOWERING
- C DRAIN LINE
- D OIL PLUG

WEIGHT (Kg) **60.38**

Model: TMT 50 Code: 9.02.10.14 Class: M1 L1.T2 (FEM 1.001/1998) with drum rotation 25 rpm.

MOTOR DATA		WORKING FLOW RATE (L/min)	WORKING PRESSURE (MPa)	FLOW RATE (L/min)	MAXIMUM ALLOWED BACK PRESSURE IN HYDRAULIC RETURN LINE (MPa)	BRAKE TYPE	Braking Static Torque (daNm)	GEAR DATA	
CYL (cc)	80	50	14.5	Min 10 Max 50	0.5	Multi-disc negative brake	19	REDUCTION - RATIO	1:28.9
TYPE	ORBIT		STARTING PRESSURE					INTERNAL LUBRICATION - OIL (Kg)	0.8
MODEL	PK		17.0						

ROPE LAYER	N°	1	2	3	4	5			
LINE PULL (With 14.5 MPa)	(daN)	5500	4640	4010	3530	FULL			
LINE SPEED (With 50 L/min)	(m/min)	7.7	9.1	10.5	11.9	13.4			
<b>ROPE CAPACITY</b>									
ROPE Ø	(m)								
ROPE Ø 11 mm		8	17	28	41	55			
ROPE Ø									

**IMPORTANT**

**THIS WINCH IS NOT INTENDED FOR DEVICES USED FOR PERSONNEL LIFTING**

Use ropes with a correct strenght.  
A minimum of 3 wraps of rope must be left on drum for security.  
The rated line pull are for the winch only.  
We reserve the right to make changes without notice.

<b>DATE</b>
15/11/2017
<b>DATI ARGANO</b>
DA 17287.0